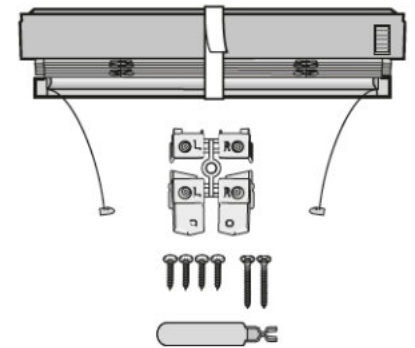


Luxtra®

PAR



VELUX, Luxtra, RoofLITE, FAKRO, Dakstra, Dakea, Tyrem, Optilight, Keylite, Starlite, and Solstro are registered trademarks ©

